

# GRAEF

YOUR SPECIALIST FOR SLICING SOLUTIONS

## SOLUTIONS FOR AUTOMATIC SLICING & PACKAGING



## DISKGIVER

Automatic disk dispenser for round presentations



disk dimensions from diameter 150 to 230 mm



Capable of working with disk dimensions from diameter 150 to 230 mm. The GRAEF machine slices all kind of products. The DiskGiver machine, using the automatic suction device, delivers the round rigid base with both machines synchronized for the round display production.

Possibility to program different slice quantities, distance between slices, number of slices and its diameter.

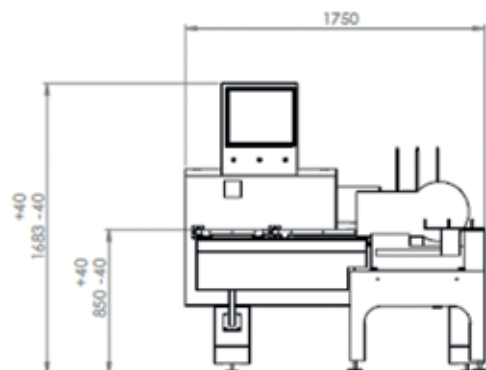
Circle quantity programmable.

Production: Up to 8 disk/min

### TECHNICAL DATA

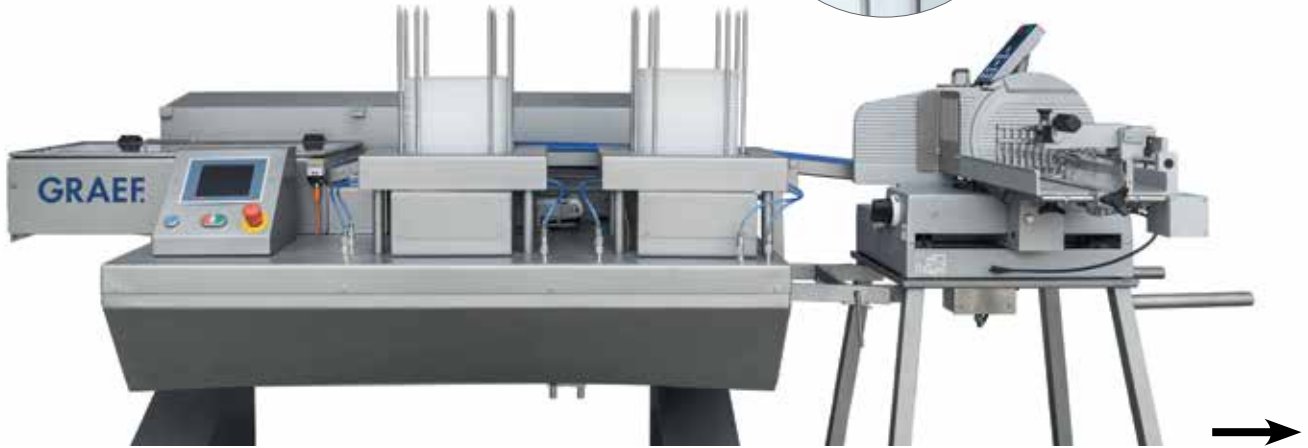
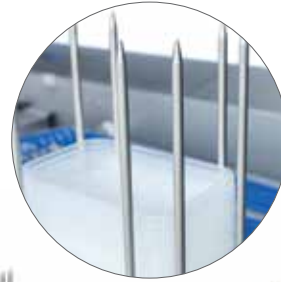
Total dimension with GRAEF VA804  
1750 x 1900 x 1600 mm  
Total dimension with GRAEF VA806  
1750 x 2250 x 1600 mm  
Electric connection 230V (Op. 400V)  
Electric consumption 1'5-2 Kw  
Pneumatic connection 1/4 - 8 Bar  
Total weight 310 Kg

To synchronize with GRAEF VA 804/806

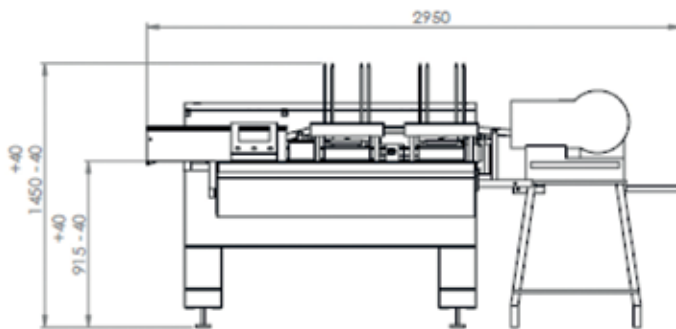


## TRAYGIVER

Automatic tray dispenser with single or double tray system  
 Special synchronization with GRAEF slicer for parallel operation  
 TrayGiver places automatically the tray on a conveyor belt ready to receive the sliced presentations from the slicer  
 No operator needed, just supervision of the process



*Possibility to disconnect the slicer to work separately for other applications*



### TECHNICAL DATA

Total dimension with GRAEF VA804  
 2950 x 1900 x 1600 mm  
 Total dimension with GRAEF VA806  
 2950 x 2050 x 1600 mm  
 Electric connection 230V (Op. 400V)  
 Electric consumption 1'5-2 Kw  
 Pneumatic connection 1/4 - 8 Bar  
 Total weight 460 Kg

To synchronize with GRAEF VA 804/806

## INTERGIVER

### The advanced interleaver

2 Variants: Single paper or double paper dispenser  
 Capable to work with a wide range of materials and thickness as: Plastic PA/PE, coated Papers, Carton, etc.

### Paper Sizes

Intergiver double : 2 papers max 110x110mm  
 Intergiver single : 1 paper max 220x250mm

### TECHNICAL DATA

Electric connection 230V (Op. 400V)  
 Electric consumption 1'5-2 Kw  
 Pneumatic connection 1/4 - 8 Bar To

To synchronize with GRAEF VA 804FB/806FB



All systems designed and developed to work synchronized with GRAEF slicers



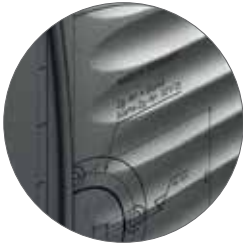
VA 804



VA 806



VA 804 FB /  
VA 806 FB



Slicer Coating **CERA 3**



Different Extra accessories  
for inclined slicing



Folding Slices Device

*Solutions for each requirement, we can adapt all automation to every customer demand  
The automatic slicer grants a perfect food slicing on the majority of products*

Fresh Meat

Jamón/Prosciutto

Salmon/Tuna

Cooked Ham

Sausages

PreFormed Burguers

Cheese

Carpaccio

*customer support for project development*

**GRAEF**

**ZERMAT**

Gebr. Graef & Co. KG  
Donnerfeld 6  
59757 Arnsberg  
02932 9703 0  
info@graef.de  
www.graef.de

Sales Agent for spanish and south american markets

+34 607 842 834  
www.zermat.es  
www.cortafiambres.es